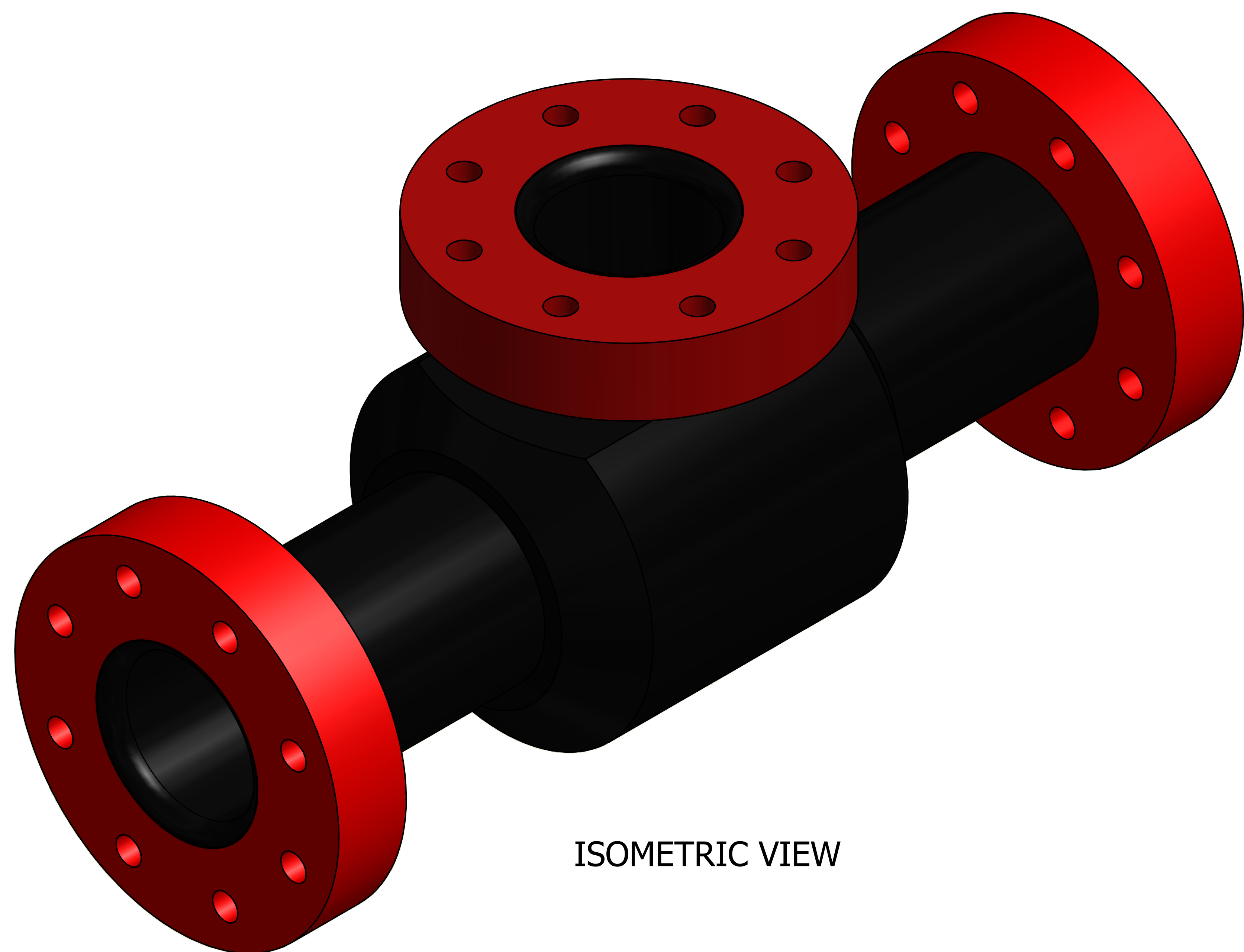
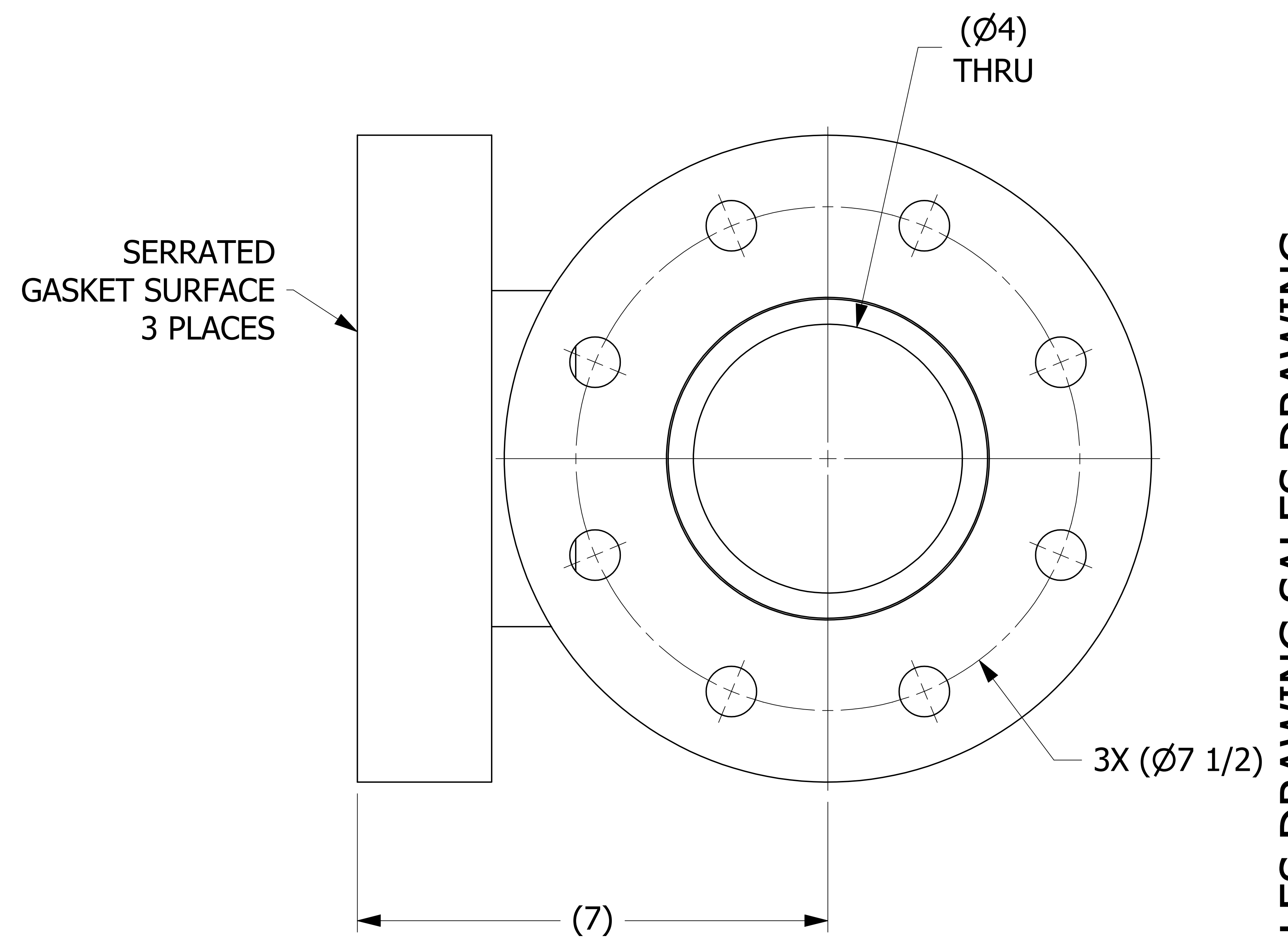
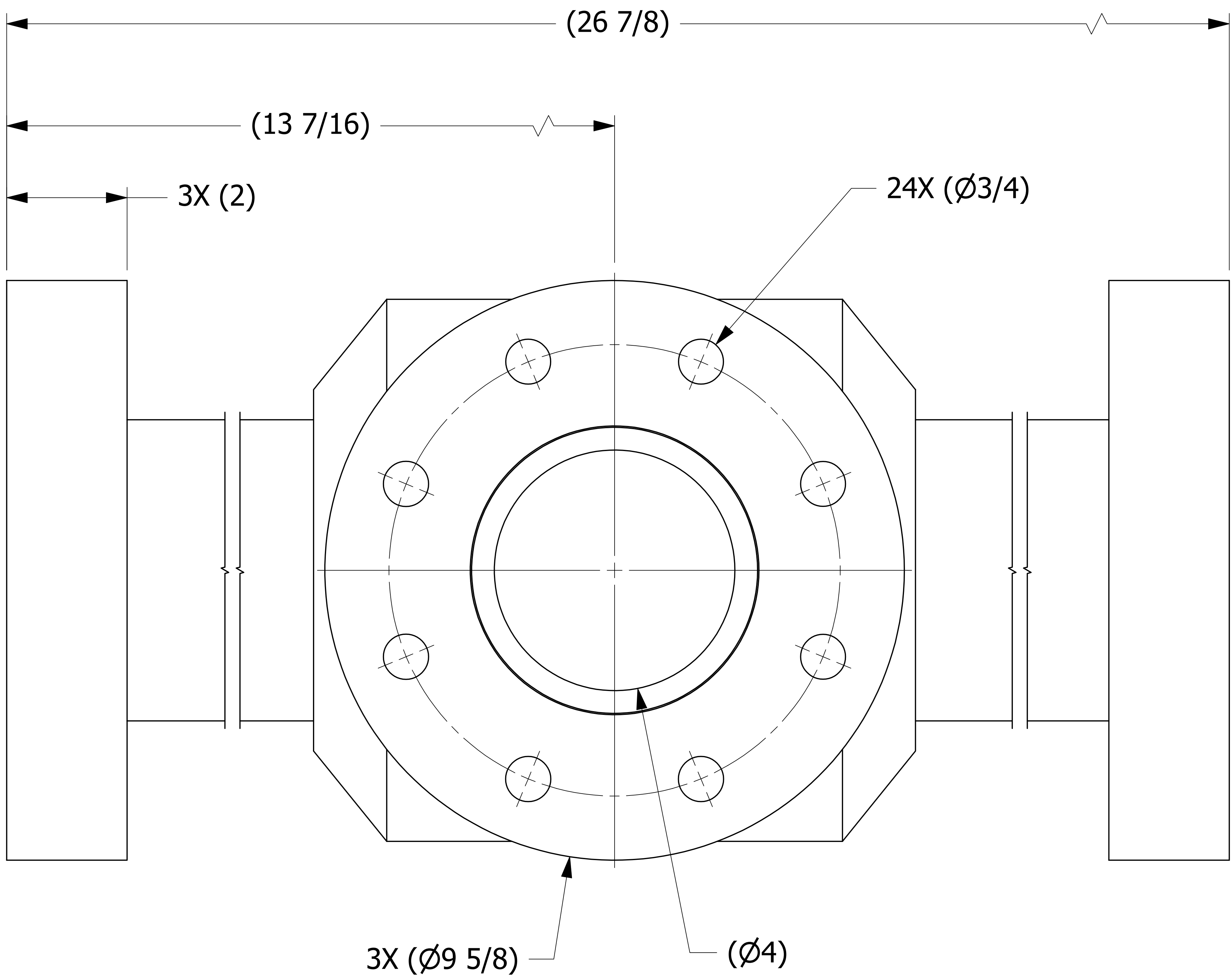


SALES DRAWING SALES DRAWING SALES DRAWING

SALES DRAWING SALES DRAWING SALES DRAWING



UNLESS OTHERWISE SPECIFIED DIMENSIONAL TOLERANCES				DRAWN BY:		JG	A JG 2-23-17 RELEASED FOR PRODUCTION					
FRACTIONAL: ±1/16				CHECKED BY:		EJF	REV BY DATE DESCRIPTION					
X.XX: ±.03				PROTOTYPE BY:		JG	PART NAME: PIPE TEE 4"					
X.XXX: ±.015				PROTOTYPE DATE:		2/22/2017	MATERIAL: SALCO PE					
ANGULAR: ±1°				APPROVED FOR PRODUCTION BY:		EJF	PROJECT #:	H170221F	SHEET #:	1 OF 1	SCALE:	1:1
DEBURR ALL SHARP EDGES. ALL MACHINED SURFACES TO HAVE A 125 RMS FINISH UNLESS NOTED OTHERWISE.				THIRD ANGLE PROJECTION		DRAWING #:		E45068		PART #:		HS4PT13
THIS PRINT, PROPERTY OF SALCO PRODUCTS INC. CONTAINS PROPRIETARY INFORMATION AND MUST NOT BE COPIED, REPRODUCED, OR USED DETRIMENTALLY TO OUR INTEREST.				PRODUCTION DATE:		2/23/2017						